



Before fitting composite decking the material should be left for a minimum of 24 hours in the area it is to be fitted. The decking will expand and contract slightly in different weather conditions. The surface colour will also fade slightly, (more-so on light colours) but this will stabilise after the first 6 months. Composite decking can be worked with normal woodworking tools. A hand saw or chop saw are ideal for cutting the boards and joists to length.

1: Supporting Substructure

The composite decking must not be laid directly on the sub-floor. Decking must be fixed to composite joists if installed over a flat solid sub surface. If the decking needs to be raised then a timber frame can be installed first.

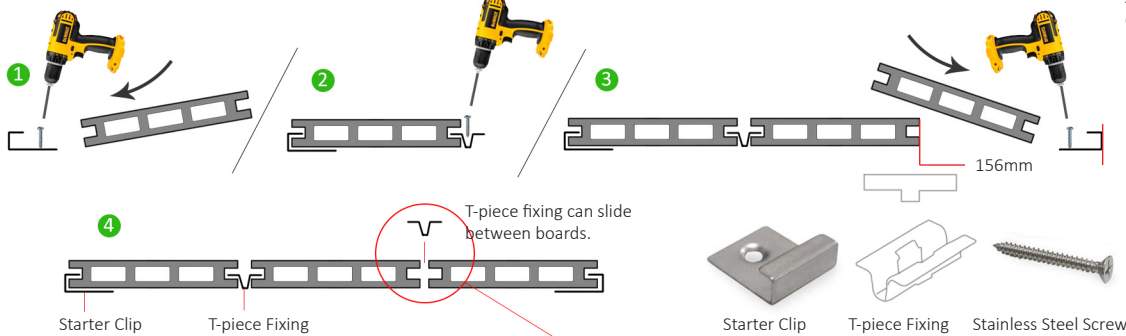
The supporting base must be installed with a slight fall, (minimum 1/30) and ideally away from the property. The water must be able to run along and down the length of the decking boards so it can drain off the ends. All supporting joists should be installed in parallel lines at 90 degrees to the decking. All supporting joists should be installed at even centres. Domestic areas must have a maximum of 370mm centers between supporting joists with commercial areas reducing to a maximum of 314mm centres).

If using composite joists, these should be fixed directly to a solid base using thunderbolt joist screws or concrete haunchings. Joists must be fixed in parallel lines with a 10mm spacing at either end of each joist. If using thunder bolts: Step 1, drill a 6mm hole through deck joist into hard standing to depth suitable for fixing. Step 2, Drill a 9mm hole through the joist only. Stop when drill gets to hard standing. (This allows the bolt to be held firmly into the concrete but still allows space for the joist to expand and contract slightly.) Step 3, Screw bolt down into concrete until head is level with top of joist. Do not over-tighten or pull head into joist. Step 4, Repeat every 500mm along joist and 100mm from each end of each joist.

2: Fixing Decking Boards to Composite or Wood Joists

Starter and T-piece decking clips should be used to hold the decking boards in place. Alternatively, boards can be screwed down through the deck surface making sure to maintain an even 6mm gap between all boards. All decking joints should also be staggered.

Starter clips are used to start the decking installation process & finish / lock the end planks into position.



T-clips are used between each decking board. Step 2 above shows a T-clip being installed by offering each clip up to the decking boards and screwing in place with the stainless steel screw provided. The next decking board can then be slid up and tapped into position before repeating the process again.

The diagram on the right shows how a T-clip can also be slid between two decking boards and using a thin driver head, be screwed down to hold both board sides at once.

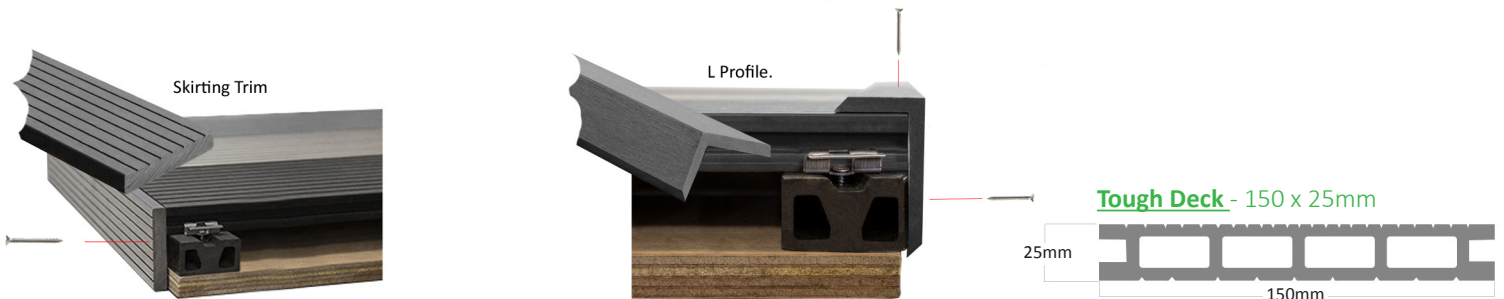
All decking board ends and sides must all be fully supported and fixed down with starter clips or T-clips. All sides must be fixed down to each and every supporting joist. If decking is screwed down, suitable stainless steel counter-sunk screws must be used on both sides and ends of each board into all supporting joists.

T-clips are designed to space the decking boards regularly but also allow for a small margin of expansion and contraction. All board ends must be fixed down and fully supported by a joist (deck board ends should not overhang by more than 30mm at any point). Where two board ends meet two joists and four clips will be required, one joist and two clips for each board end (do not use one T-clip to bridge two board ends). A 10mm gap must be left between end of boards and any solid surface. Between boards leave a small gap to allow for expansion and contraction.

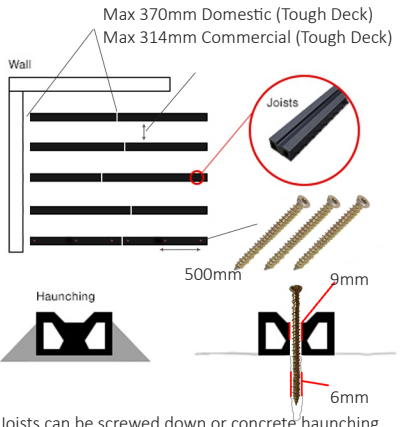
3: Edges / Trims / Finishing

Once all boards have been fixed in place any uneven edges, exposed joists or step nosing's can be finished using our composite profiles in matching colours.

Skirtings and L profiles can either be screwed or glued in place depending upon the fitting location. In high traffic areas trims must be screwed top and bottom at maximum 470mm centres into the supporting sub frame. All our composite decking, trims and profiles are full-bodied meaning the colour runs all the way through the material top to bottom. This allows the material to be sanded to remove damage or refine any mis-cut edges or corners.

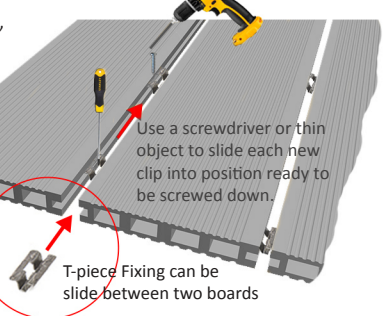
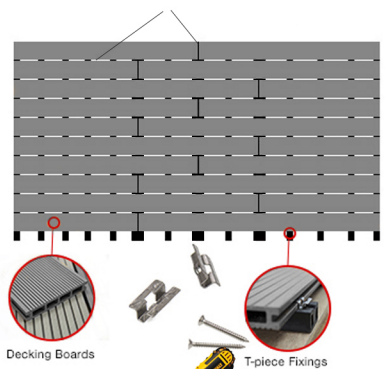


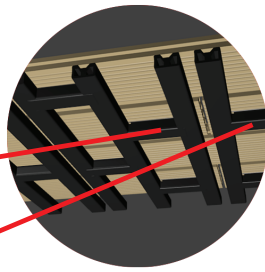
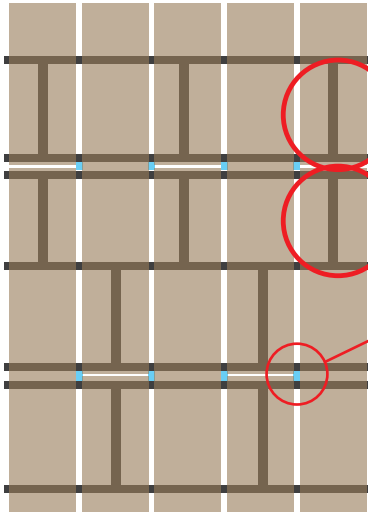
Composite joists require a 10mm gap at both ends



Joists can be screwed down or concrete haunching can be used.

6mm Expansion gap between decking boards

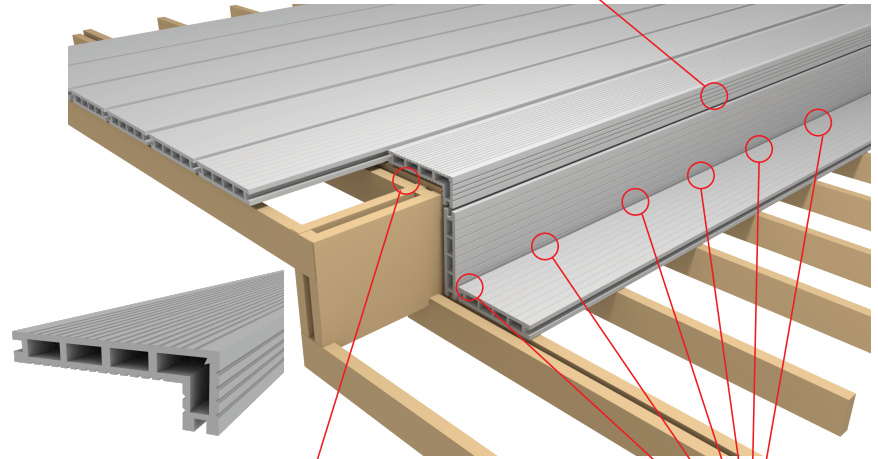




For commercial and high traffic areas and areas prone to movement, add a level nogging centrally under each deck board end. This provides extra support to each end should it be needed.

- Add a 25 mm spacer between all double joists to allow for drainage and optimal support

Silicone the under side of the vertical drop of the step nosing



Install double joists to end of all board and step edge nosings

Install starter clips on all first and last vertical and horizontal deck boards. Alternatively, a mechanical fixing can be used if boards need to be cut down.

DO'S & DON'TS

DO:

- ✓ Follow the installation instructions.
- ✓ Allow the decking 24 hours to acclimatise.
- ✓ Take weather into account when allowing for expansion and contraction gaps.
- ✓ Install the decking with a fall along the length of the boards.
- ✓ Fully support and fix down all board ends with two fixings and one joist per end (double joist all joints).
- ✓ Keep decking clean and wash regularly for first month with light detergent and rinse with fresh water.
- ✓ Support and fix down all board ends directly to supporting joists.
- ✓ Stagger all end joints.
- ✓ Sand down any roughly cut edges with sandpaper.
- ✓ Always make a pilot hole when screwing into any WPC material.

DON'T:

- ✗ Do not lay waterproof or airtight mats, covers or other flat objects directly onto the decking.
- ✗ Forget the decking will expand and contract so leave an appropriate gap at end of all boards.
- ✗ Lay / install the decking lying directly onto sub floor.
- ✗ Install the decking completely flat.
- ✗ Install the decking on an uneven surface.
- ✗ Exceed the stated support frame centres.
- ✗ Power wash the decking above 30-bar.
- ✗ Do not block the ends of the boards.
- ✗ Do not heat the surface, middle or underside of the boards.

Before starting the installation, make sure to wear protective clothing such as gloves, safety goggles, suitable footwear and dust mask so work can be carried out safely.